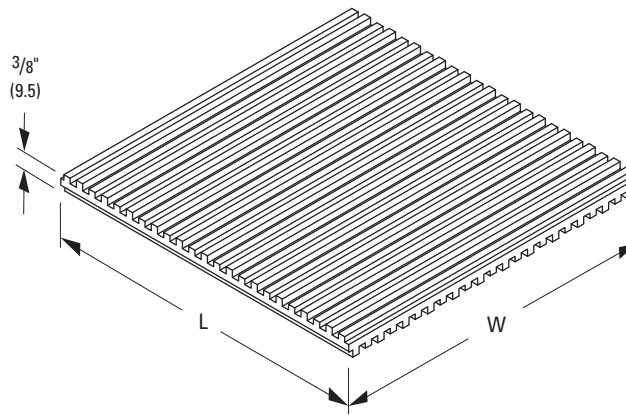


NNP Type - Ribbed Neoprene Vibration Pad

Use: Is used under equipment to dampen noise and vibration in floor caused by medium and high speed equipment.

- Recommended load capacity:
Up to 50 lbs./sq.in. (0.042 kgf/mm²) with a range of
25-70 lbs./sq.in. (0.021-0.059 kgf/mm²)
- Thickness: 3/8" (9.5mm)
- The NNP type has a deflection of 1/8" (3.1mm).
For greater deflection, use multiple pads in layers
- Non-skid: The pad has an alternating height rib pattern to minimize slip
- Durable: Material is oil-resistant Neoprene
- Typical Applications: Air conditioners, cooling towers, compressors, fans, generators, pumps, piping, process equipment, transformers, etc.



Part No.	Rated Load		Dimensions		Std. Pkg.	Wt. Each	
	Lbs.	(kN)	L in. (mm)	W in. (mm)		Lbs.	(kg)
NNP-4	200	(.89)	2" (50.8)	2" (50.8)	48	.04	(.02)
NNP-9	450	(2.00)	3" (76.2)	3" (76.2)	36	.10	(.05)
NNP-16	800	(3.56)	4" (101.6)	4" (101.6)	24	.17	(.08)
NNP-36	1800	(8.00)	6" (152.4)	6" (152.4)	24	.39	(.18)
NNP-81	4050	(18.01)	9" (228.6)	9" (228.6)	Bulk	.87	(.39)
NNP-324	16200	(72.06)	18" (457.2)	18" (457.2)	6	3.50	(1.59)

All dimensions in charts and on drawings are in inches. Dimensions shown in parentheses are in millimeters unless otherwise specified.